

CERTIFICATE OF LOCATION OF GOVERNMENT CORNER

NORTHEAST Corner of Section 23, Township 107, Range 40, 5TH P.M.

STATE OF MINNESOTA, County of MURRAY

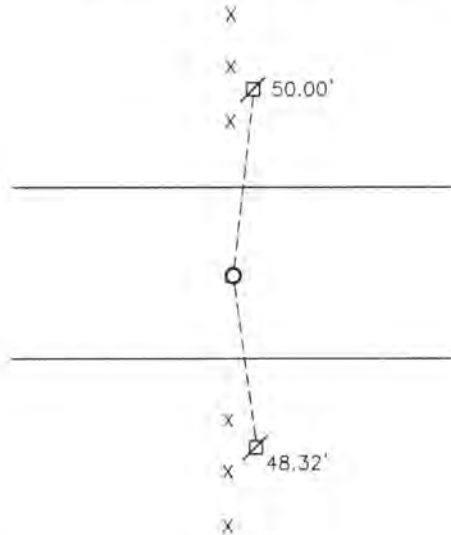
At the corner location shown on the sketch:

On 7/18/17 found a D.N.R. Monument

left monument as found, lowered monument, removed monument (explain)

On _____ placed a _____

SKETCH OF REFERENCE TIES



Minnesota State Plane Coordinate
System Murray County Datum
NAD83 (1996)
N: 179339.871
E: 543086.640

Nail and bottle cap in utility pole North 50.00'
Nail and bottle cap in utility pole South 49.32'

Statement of evidence relative to this corner location is on back of page.

I hereby certify that this document and the data contained herein was prepared by me or under my direct supervision.

[Signature] 9/18/17
SIGNATURE DATE

Registration No. 43844

Land Surveyor, Professional Engineer
 County Surveyor, County Engineer

STATE OF MINNESOTA, } ss.
COUNTY OF MURRAY, }

I hereby certify that the within instrument was filed in this office for record on the 12TH day of OCTOBER A.D. 20 17 at 11:00 o'clock A. M. and was duly recorded as Document No. —

[Signature]
County Recorder

Statement of Evidence

In 1861, L. Brockmann did the original subdivision of the township.

In 1898, J.W. Woolstencraft shows a 4"x4"x12" stone in a government mound at the corner.

In 1934, F.A. March showed a concrete stone at the corner.

In 1957, Murray County Highway Department shows a 3/4" iron pin at the corner.

In 1964, D.N.R. Bureau of Engineering found an iron pin at the corner.

In 1971, D.N.R. Bureau of Engineering set a railroad spike at the corner by using ties from 1964 survey.

On July 2, 1985, the D.N.R. Bureau of Engineering dug with a backhoe and found a 6" diameter concrete monument with an "X" on top. The D.N.R. Bureau of Engineering set a 3/4"x18" iron pipe over the concrete monument and a 1 1/4"x1 1/4" perforated steel tube with aluminum cap stamped "D.N.R. SURVEY MARKER."

On July 18, 2017, Bueltel-Moseng Land Surveying found a D.N.R. Monument with aluminum cap stamped "D.N.R. SURVEY MARKER."